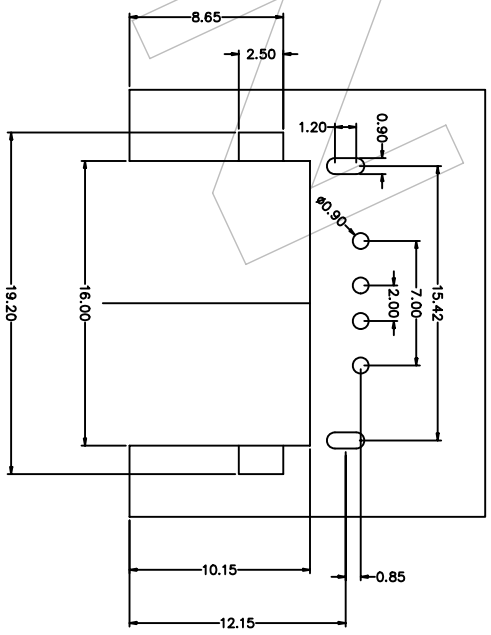


HT: 3.0 3.5 3.9 4.9



A B C D E

1 2 3 4 5 6 7 8

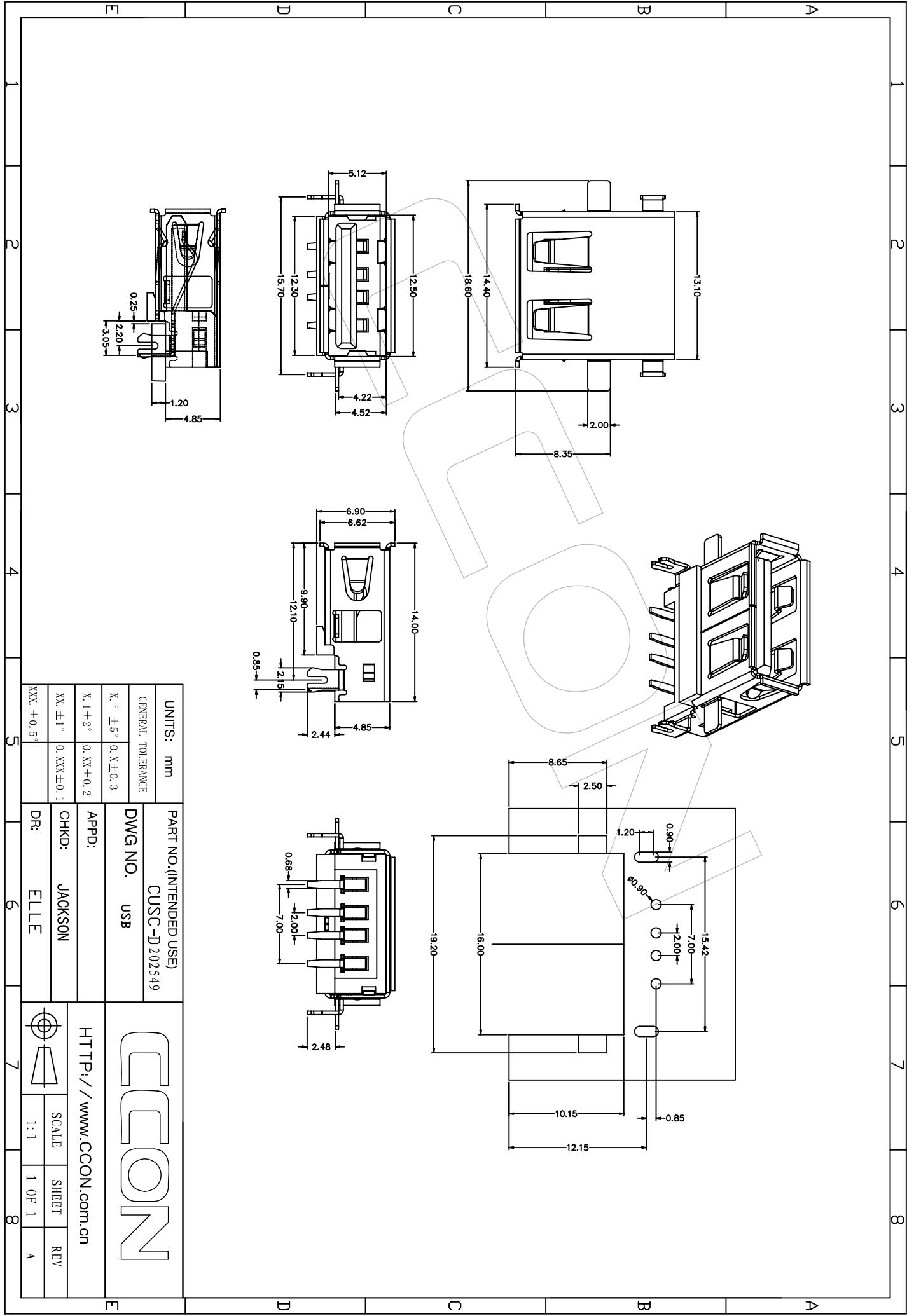
A B C D E

|                    |   |
|--------------------|---|
| UNITS: mm          | PART NO.(INTENDED USE)<br>CJSC-UP2025XX |
| GENERAL TOLERANCE  | DWG NO. USB                             |
| X. ° ±5° 0. X±0.3  | APPD:                                   |
| X. 1±2° 0. XX±0.2  | CHKD: JACKSON                           |
| XX. ±1° 0. XXX±0.1 | DR: ELLE                                |
| XXX. ±0.5°         |   |

**CCCON**

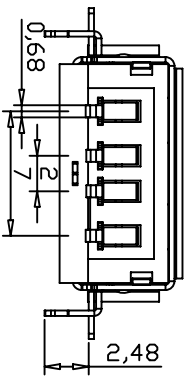
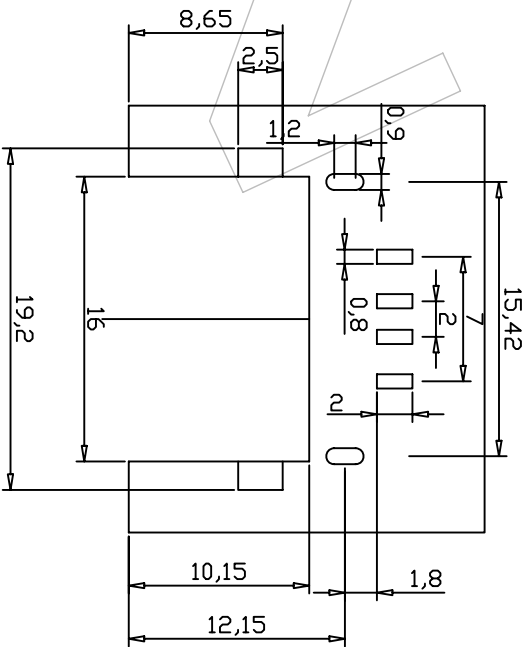
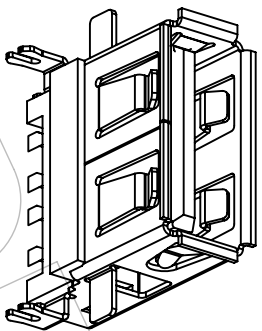
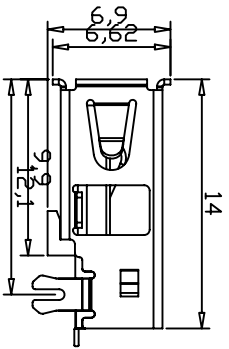
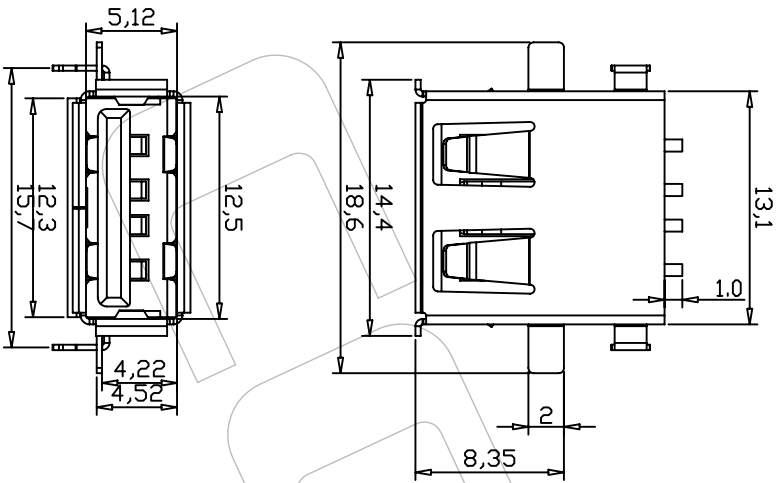
HTTP://www.CCON.com.cn

|  |       |        |     |
|--|-------|--------|-----|
|  | SCALE | SHEET  | REV |
|  | 1:1   | 1 OF 1 | A   |



|                   |            |                        |         |
|-------------------|------------|------------------------|---------|
| UNITS:            | mm         | PART NO.(INTENDED USE) |         |
| GENERAL TOLERANCE |            | DWG NO.                | USB     |
| X. ±5°            | 0. X±0.3   | APPD:                  |         |
| X. 1±2°           | 0. XX±0.2  | CHKD:                  | JACKSON |
| XX. ±1°           | 0. XXX±0.1 | DR:                    | ELLE    |
| XXX. ±0.5°        |            |                        |         |

[HTTP:// www.CCON.com.cn](http://www.CCON.com.cn)  
  
 SCALE: 1:1  
 SHEET: 1 OF 1  
 REV: A

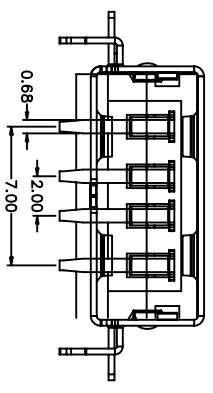
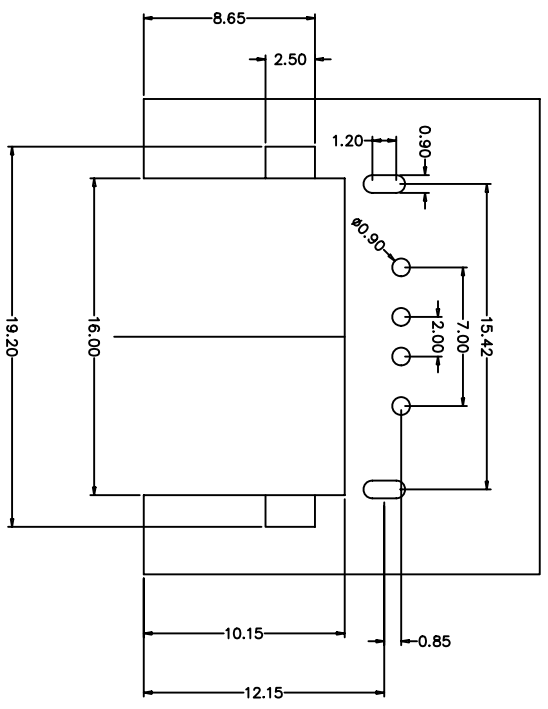
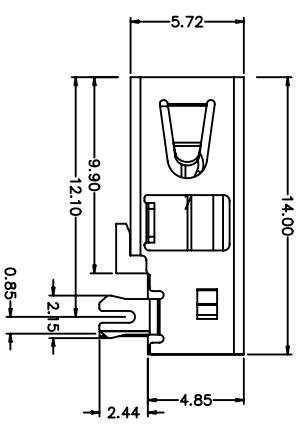
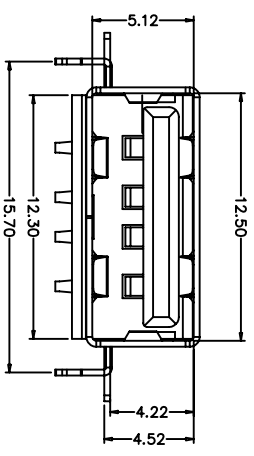
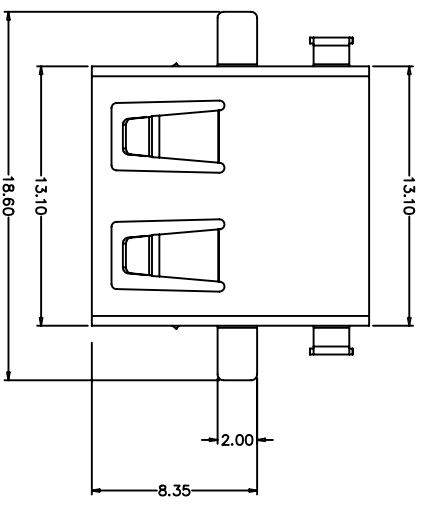


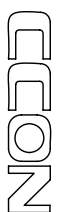
|                   |                         |
|-------------------|-------------------------|
| UNITS: mm         | PART NO. (INTENDED USE) |
| GENERAL TOLERANCE | CUSC-S202549            |
| X. ° ±5°          | 0. X ±0.3               |
| X. 1 ±2°          | 0. XX ±0.2              |
| XX. ±1°           | 0. XXX ±0.1             |
| XXX. ±0.5°        |                         |
| DWG NO. USB       |                         |
| APPD:             |                         |
| CHKD: JACKSON     |                         |
| DR: ELLE          |                         |

CCCON

HTTP://www.CCON.com.cn

|       |        |     |
|-------|--------|-----|
| SCALE | SHEET  | REV |
| 1:1   | 1 OF 1 | A   |



|                   |              |                         |   |  |  |          |         |
|-------------------|--------------|-------------------------|---|--|--|----------|---------|
| UNITS:            | mm           | NAME (INTENDED USE)     |  |  |  |          |         |
| GENERAL TOLERANCE |              | PART NO. (INTENDED USE) |   |  |  | DWG. NO. | USB ㄗ ㄘ |
| X. ° ± 5°         | 0. X ± 0.3   | CUS-HP202549-CP         |   |  |  |          |         |
| X. 1 ± 2°         | 0. XX ± 0.2  | APPD:                   |   |  |  |          |         |
| X. ± 1°           | 0. XXX ± 0.1 | CHKD: JACKSON           |   |  |  |          |         |
| XXX. ± 0.5°       |              | DR: ELLE                |   |  |  |          |         |

