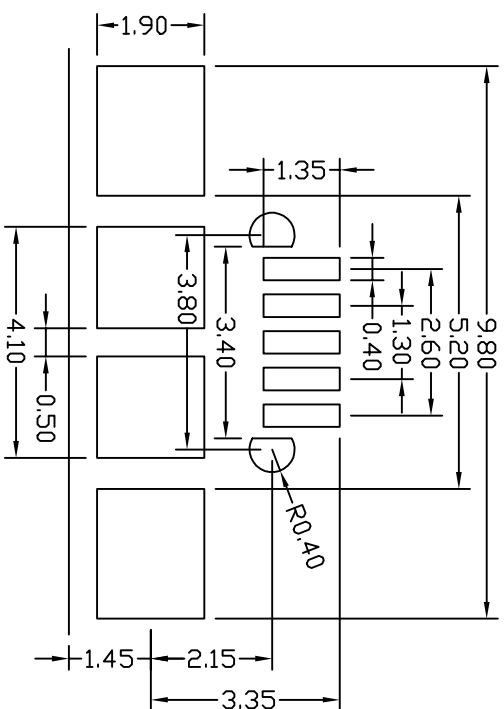
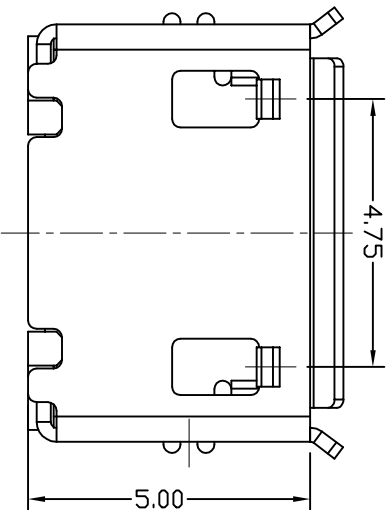
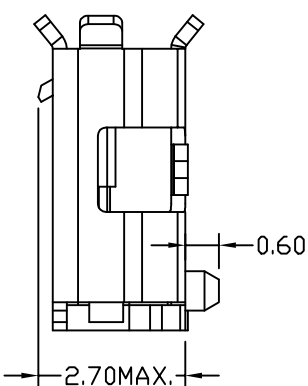
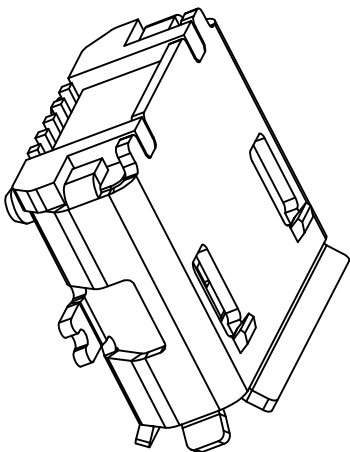
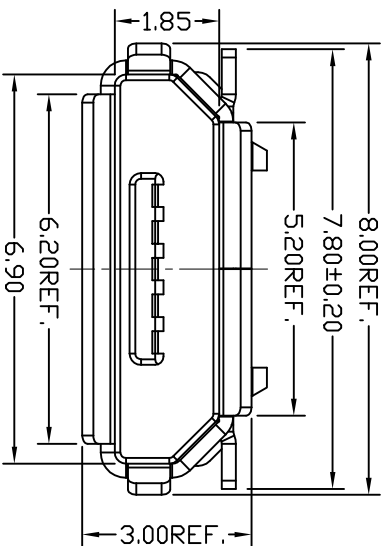
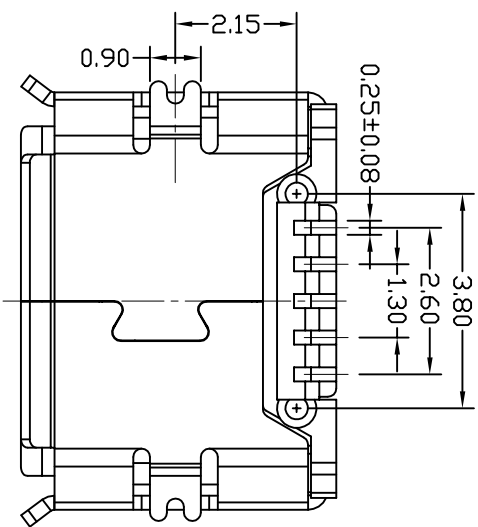


ROHS



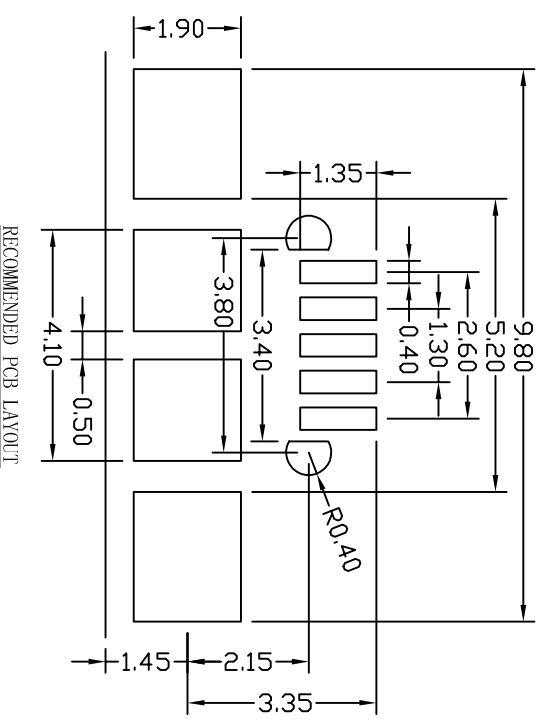
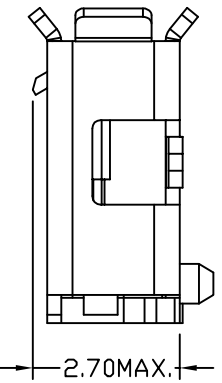
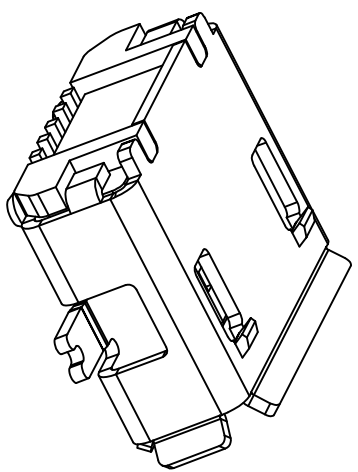
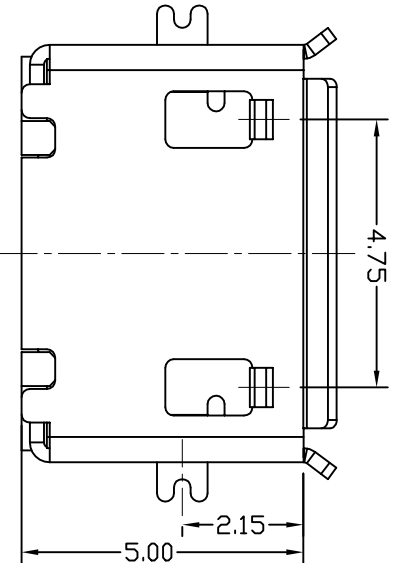
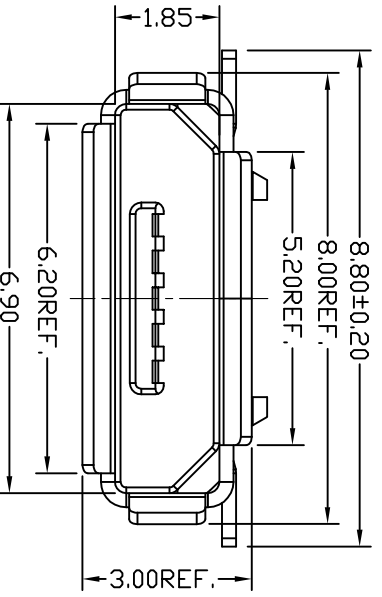
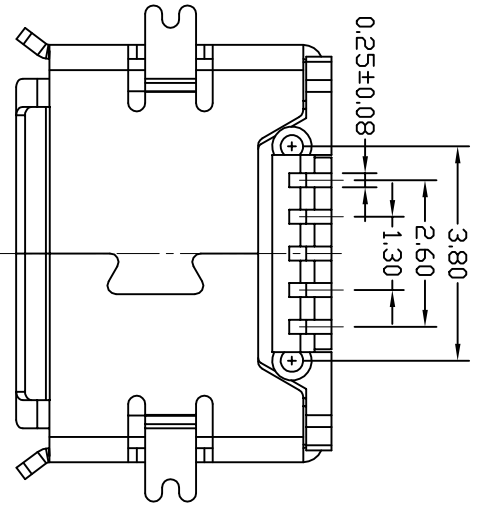
MATERIALS:

1. PLASTIC: HI-TEMP PLASTIC (UL 94V-0), BLACK.
 2. TERMINAL: COPPER ALLOY, GOLD PLATED OVER NICKEL.
 3. SHELL: STAINLESS STEEL, NICKEL PLATED OVERALL.
- SPECIFICATION:**
1. MATING FORCE: 35N MAX.
 2. UNMATING FORCE: 10N MIN, INITIAL
8 ~ 20N AFTER 10000 CYCLES
 3. DURABILITY: 10000 CYCLES MIN.
 4. CURRENT: 1.0A
 5. VOLTAGE: 30V MAX
 6. WITHSTANDING VOLTAGE: 100V AC
 7. CONTACT RESISTANCE: 30MΩ MAX INITIAL;
40MΩ MAX AFTER 10000 CYCLES
 8. INSULATION RESISTANCE: 100MΩ MIN
 9. OPERATING TEMPERATURE RANGE: -30°C TO +80°C

UNITS: mm	GENERAL TOLERANCE		NAME (INTENDED USE)	PART NO. (INTENDED USE)	DWG NO.			
	X. ° ±5°	0. X ±0.3						
X. 1 ±2°	0. XX ±0.2	APPD:	JACKSON	DR:	ELLE	SCALE	SHEET	REV
XXX. ±0.5°		CHKD:	JACKSON			1:1	1 OF 1	A

CCON
USB CONNECTOR

ROHS



RECOMMENDED PCB LAYOUT

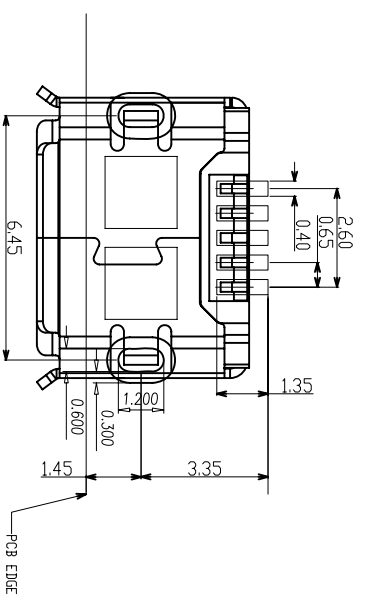
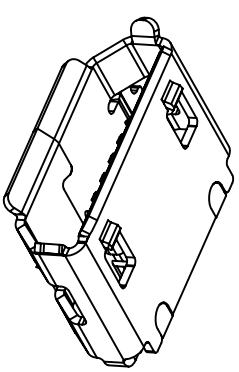
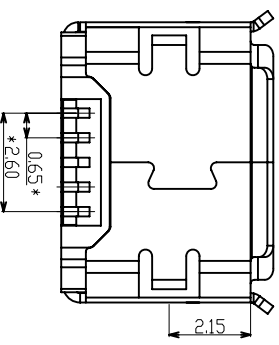
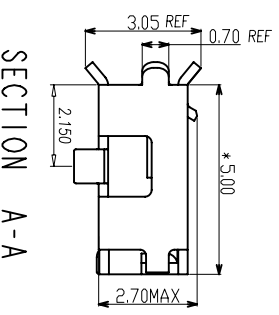
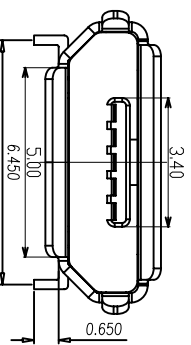
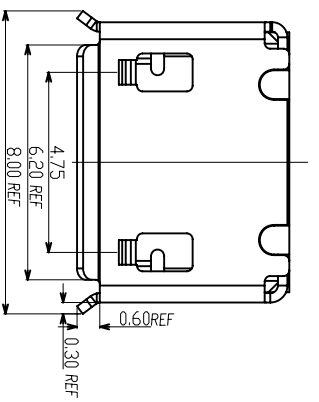
MATERIALS:

1. PLASTIC: HI-TEMP PLASTIC (UL 94V-0), BLACK.
2. TERMINAL: COPPER ALLOY, GOLD PLATED OVER NICKEL.
3. SHELL: STAINLESS STEEL, NICKEL PLATED OVERALL.

SPECIFICATION:

1. MATING FORCE: 35N MAX.
2. UNMATING FORCE: 10N MIN, INITIAL
8 ~ 20N AFTER 10000 CYCLES
3. DURABILITY: 10000 CYCLES MIN.
4. CURRENT: 1.0A
5. VOLTAGE: 30V MAX
6. WITHSTANDING VOLTAGE: 100V AC
7. CONTACT RESISTANCE: 30MΩ MAX INITIAL;
40MΩ MAX AFTER 10000 CYCLES
8. INSULATION RESISTANCE: 100MΩ MIN
9. OPERATING TEMPERATURE RANGE: -30°C TO +80°C

UNITS: mm		NAME (INTENDED USE)		CCON	
GENERAL TOLERANCE		PART NO. (INTENDED USE)			
X. ° ±5°	0. X ±0.3	CMCUS-6PFAB		DWG NO. USB CONNECTOR	
X. 1 ±2°	0. XX ±0.2	APPD:			
XX. ±1°	0. XXX ±0.1	CHKD: JACKSON		SCALE SHEET REV	
XXX. ±0.5°		DR: ELLE		1:1 1 OF 1 A	



RECOMMENDED PCB LAYOUT(TOP VIEW)
GENERAL TOLERANCES:±0.05

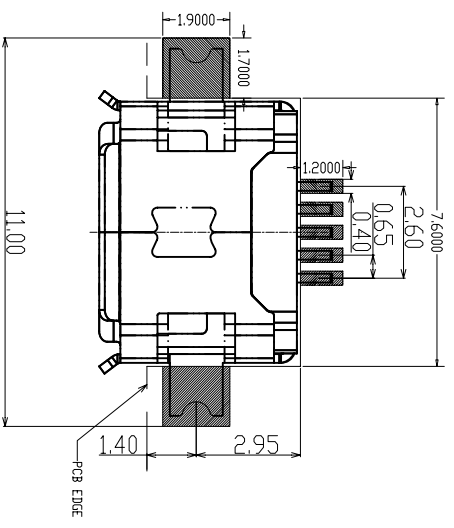
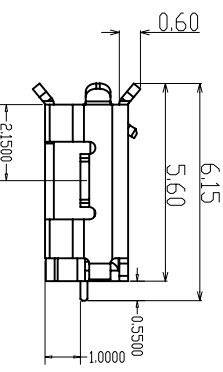
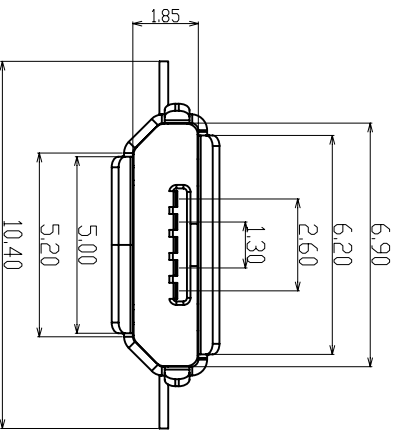
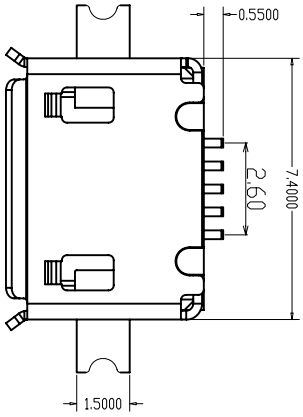
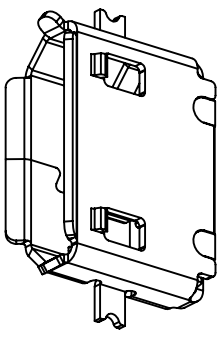
UNITS:	mm	PART NO.(INTENDED USE)	CMCUS-SPFB00
GENERAL TOLERANCE		DWG NO.	USB
X.*45°	0.X±0.3	APPD:	
X.1±2°	0.XX±0.2	CHKD:	JACKSON
XX.±1°	0.XXX±0.1	DR:	ELLE
XXX.±0.5°			

禾准科技

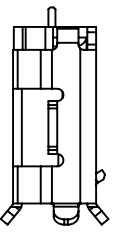
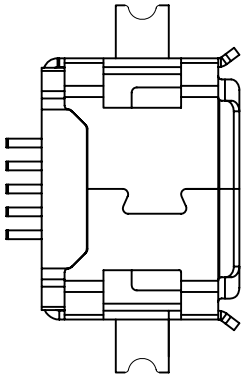
产品网址: www.CCDN.com.cn

	SCALE	SHEET	REV
	1:1	1 OF 1	A

REV.	ECN NO.	DESCRIPTION	DRWN	APPD.	DATE

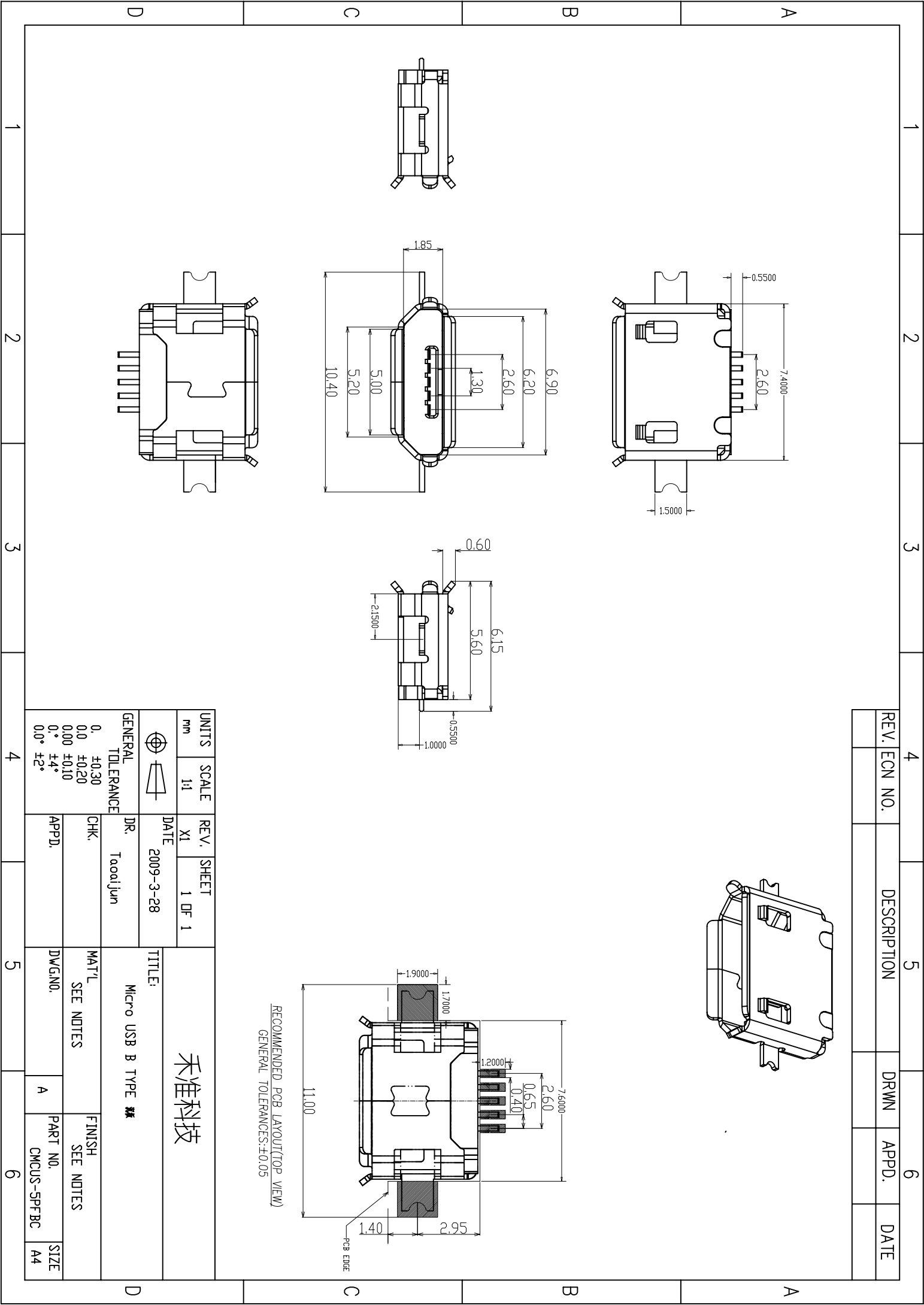


RECOMMENDED PCB LAYOUT(TOP VIEW)
GENERAL TOLERANCES:±0.05

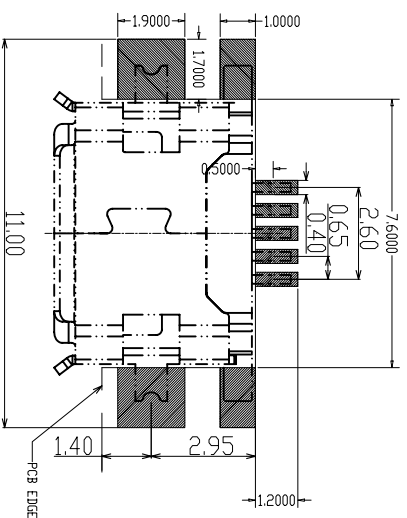
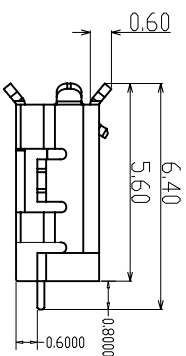
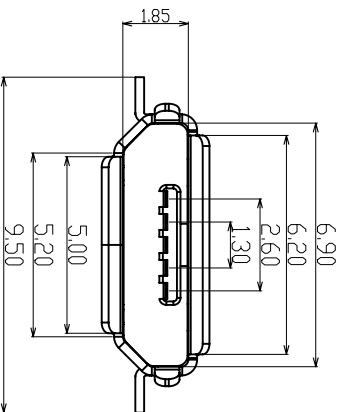
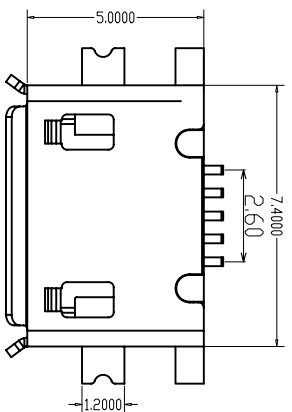


UNITS	SCALE	REV.	SHEET	TITLE:	
mm	1:1	X1	1 OF 1	Micro USB B TYPE **	
GENERAL TOLERANCE		DR.	DATE	MATERIAL	
0, ±0.30		Taoaljun	2009-3-28	SEE NOTES	
0.0 ±0.20		CHK.		FINISH	
0.00 ±0.10		APPD.		SEE NOTES	
0.° ±4°		DWG. NO.	A	PART NO.	SIZE
0.0° ±2°				CMCUS-SPTBC	A4

禾准科技



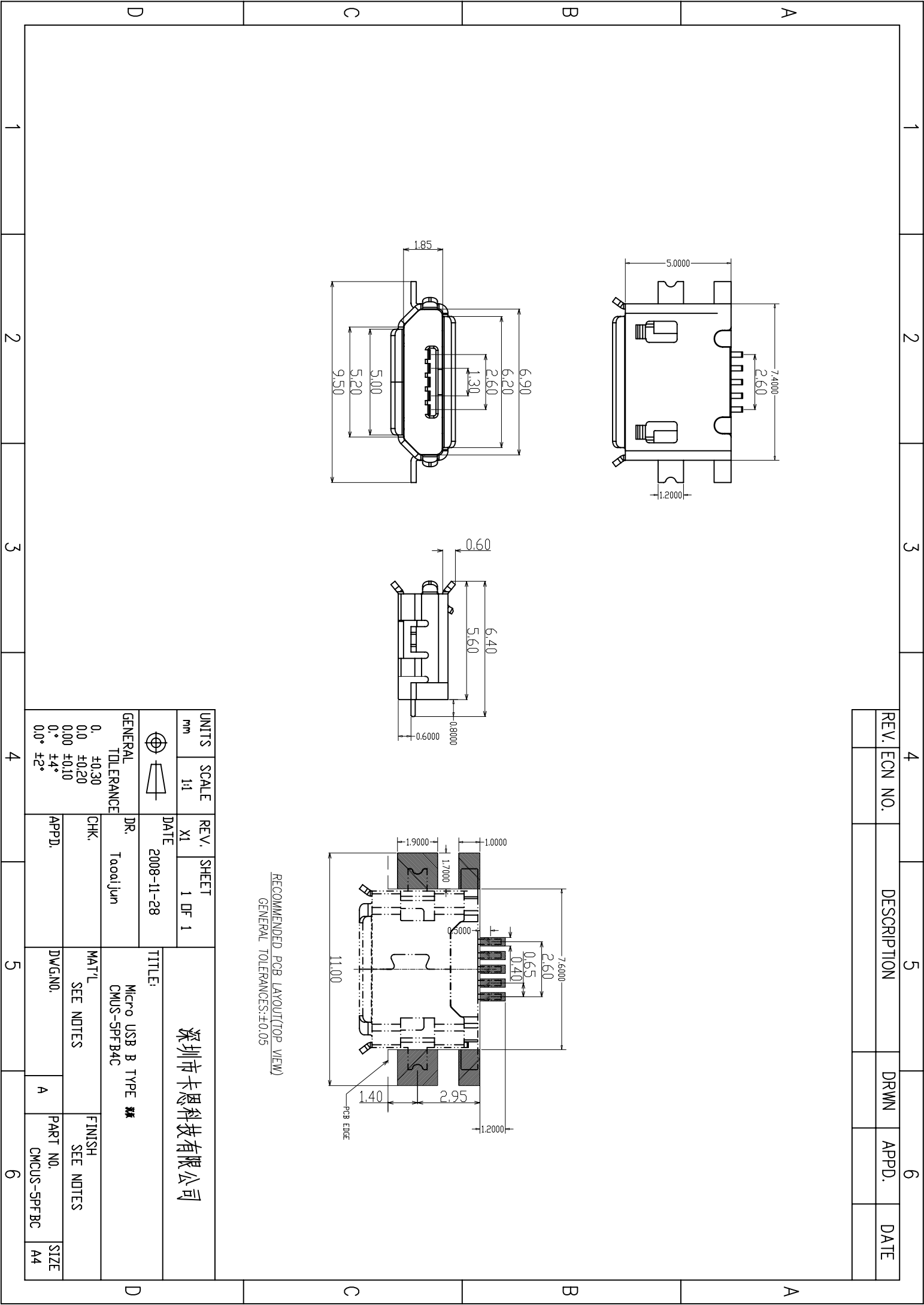
REV.	ECN NO.	DESCRIPTION	DRWN	APPD.	DATE

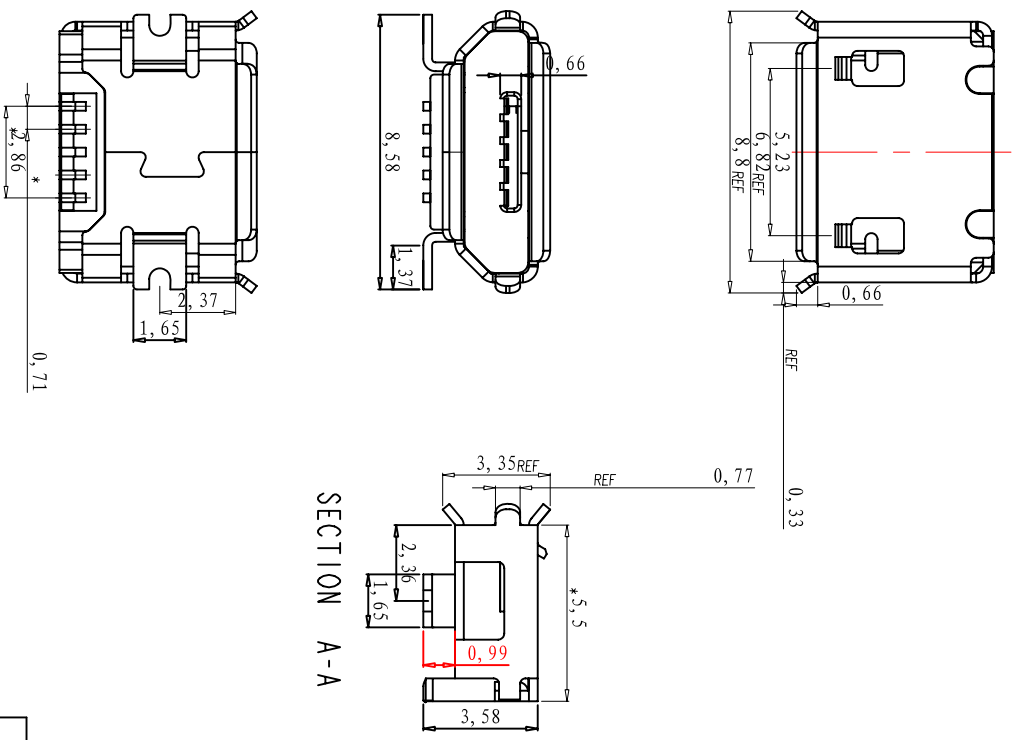


RECOMMENDED PCB LAYOUT(TOP VIEW)
GENERAL TOLERANCES:±0.05

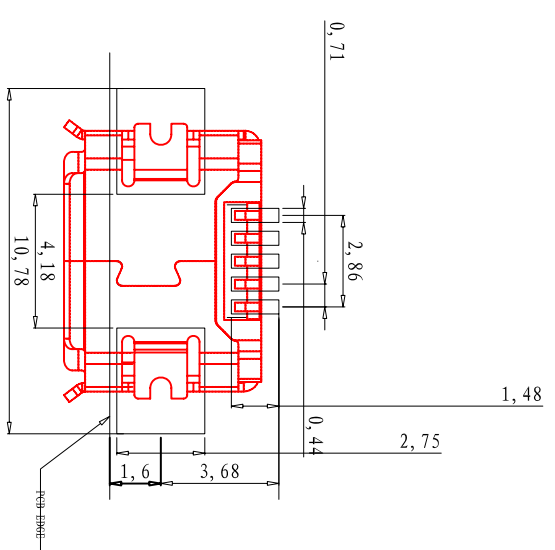
UNITS	SCALE	REV.	SHEET	TITLE:	
mm	1:1	X1	1 OF 1	Micro USB B TYPE ***	
GENERAL TOLERANCE		DATE	2008-11-28	DR. Taoljun	
0, ±0.30	±0.30	CHK.		MATERIAL SEE NOTES	
0.0 ±0.20	±0.20	APPD.		FINISH SEE NOTES	
0.00 ±0.10	±0.10			PART NO. CMCUS-SFFBC	
0.° ±4°	±4°			SIZE A4	
0.0° ±2°	±2°				

深圳市卡恩科技有限公司

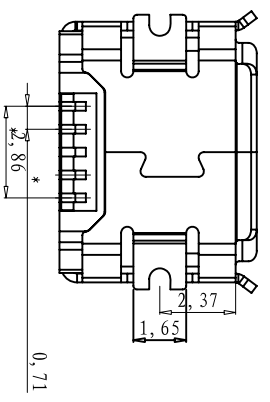




SECTION A-A



RECOMMENDED PCB LAYOUT(TOP VIEW)
GENERAL TOLERANCES:±0.05



UNITS: mm	PART NO.(INTENDED USE)
GENERAL TOLERANCE	CMCUS-5PFEB09
X. ° ±5°	DWG NO. MIC USB
X. 1 ±2°	APPD:
XX. ±1°	CHKD: JACKSON
XXX. ±0.5°	DR: BLLE

产品网址: www.CCON.com.cn

禾准科技

SCALE	SHEET	REV
1:1	1 OF 1	A